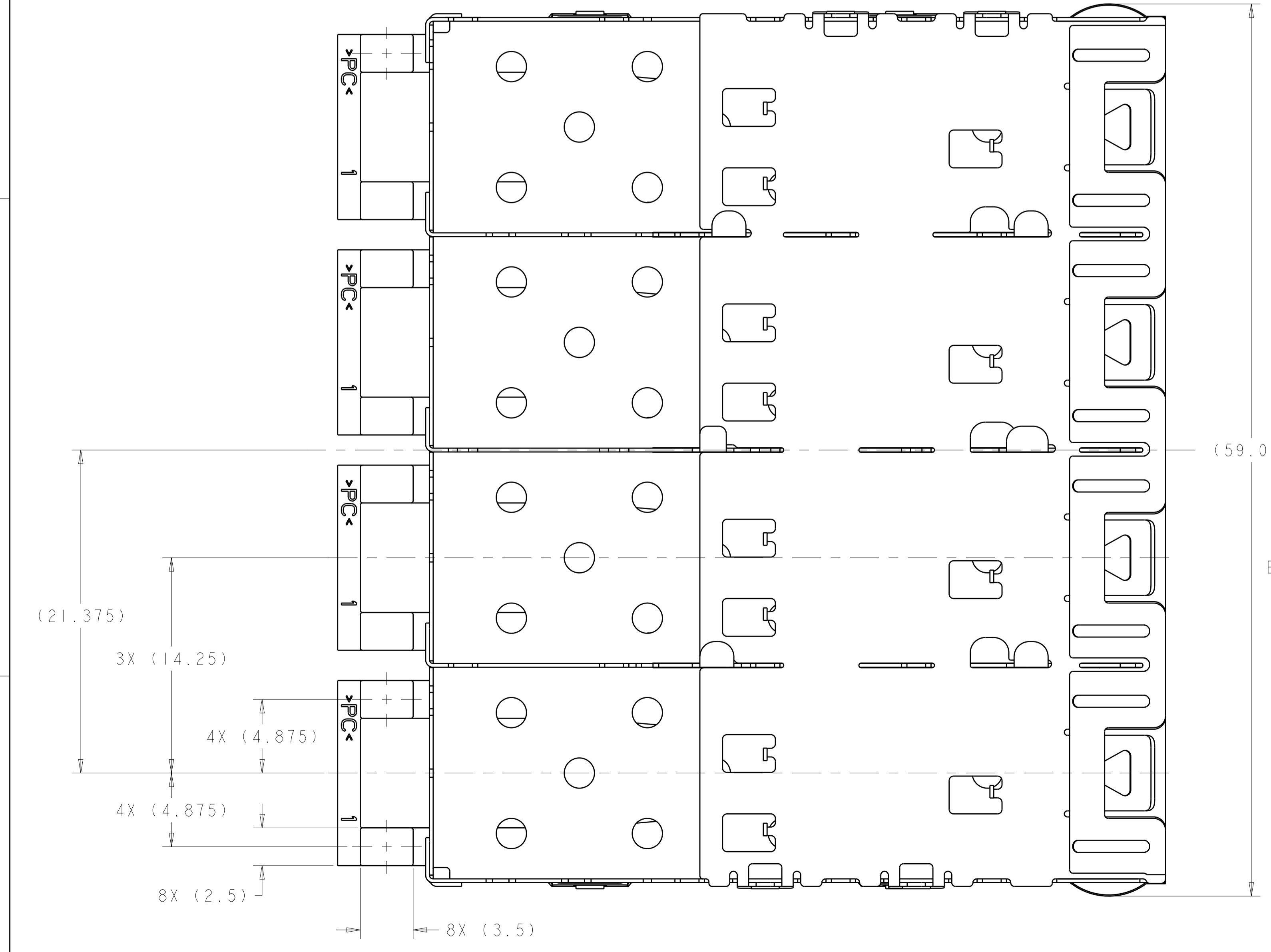
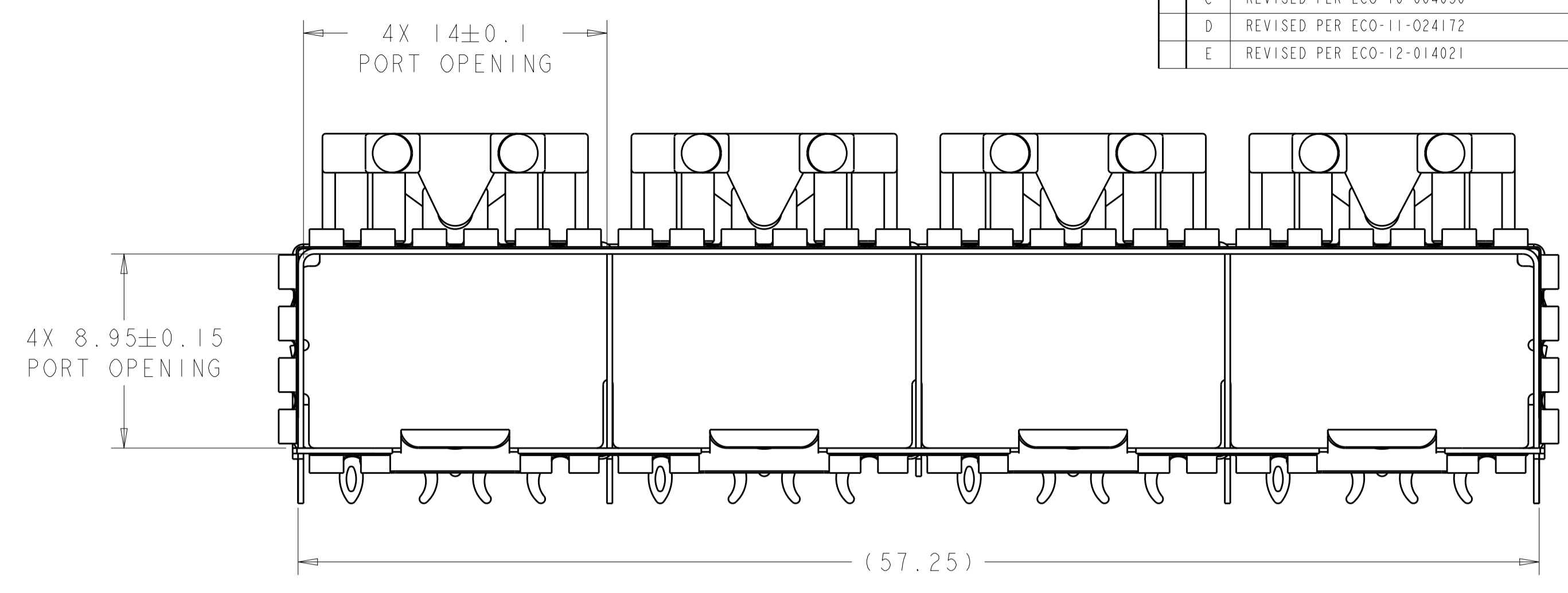
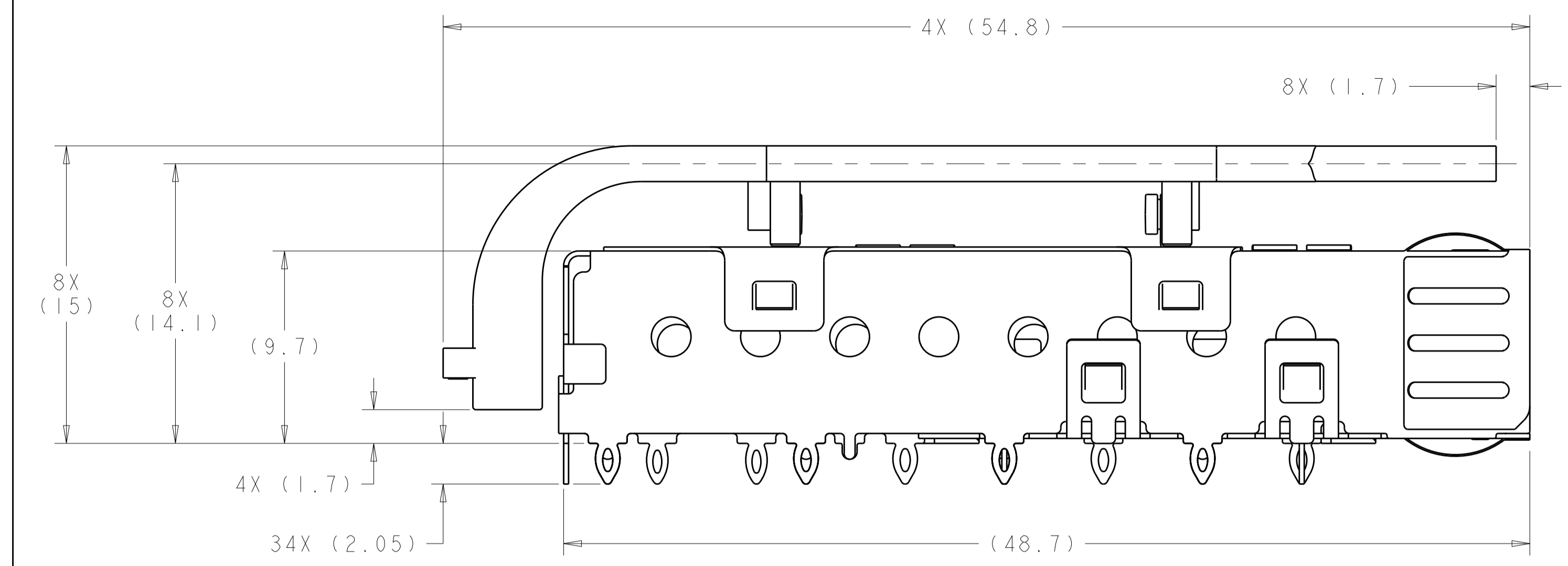
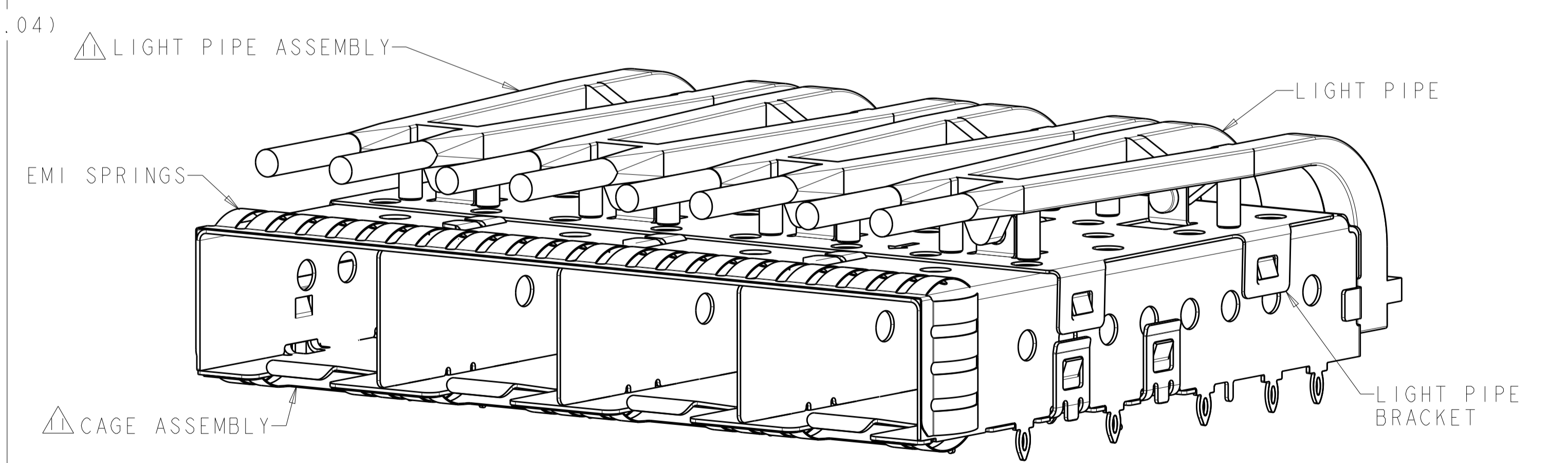


| LOC | DIST | REVISIONS |     |                           |           |     |      |
|-----|------|-----------|-----|---------------------------|-----------|-----|------|
| GP  | 00   | P         | LTN | DESCRIPTION               | DATE      | DWN | APVD |
|     |      | B         |     | REVISED PER ECO-09-022874 | 9OCT2009  | ZMR | MRS  |
|     |      | C         |     | REVISED PER ECO-10-004036 | 01MAR2010 | CJV | MRS  |
|     |      | D         |     | REVISED PER ECO-11-024172 | 07DEC2011 | TX  | AC   |
|     |      | E         |     | REVISED PER ECO-12-014021 | 05DEC2012 | TD  | AC   |



- 1. MATERIAL:  
 CAGE ASSEMBLY: 0.25mm THICK NICKEL SILVER ALLOY  
 LIGHT PIPE BRACKET: STAINLESS STEEL  
 LIGHT PIPE: POLYCARBONATE, CLEAR
- 2. FINISH:  
 SPRINGS: MINIMUM OF 0.8um TIN PLATE OVER A MINIMUM OF 0.8um NICKEL UNDERPLATE.  
 NON-PLATED EDGES PERMISSIBLE.
- 3. PADS AND VIAS CHASSIS GROUND.
- 4. DATUM AND BASIC DIMENSION ESTABLISHED BY CUSTOMER.
- 5. MATES WITH SFP MSA COMPLIANT TRANSCEIVERS.
- 6. INTERPRETATION OF DATUM REFERENCE FRAME IN ACCORDANCE WITH SECT 4.4.1.1 OF ASME Y14.5M-1994.
- 7. REFERENCE APPLICATION SPEC. 114-13120, HOLE A, FOR RECOMMENDED DRILL HOLE DIAMETER AND PLATING THICKNESS.
- 8. REFERENCE APPLICATION SPEC. 114-13120, HOLE B, FOR RECOMMENDED DRILL HOLE DIAMETER AND PLATING THICKNESS.
- 9. HOLE PATTERN REPEATS FOR EACH PORT. SPACING BETWEEN PORTS IS 14.25mm.
- 10. MINIMUM PC BOARD THICKNESS:  
 SINGLE SIDED = 1.50  
 DOUBLE SIDED = 2.25
- 11. LIGHT PIPE ASSEMBLY SHIPPED UNASSEMBLED TO CAGE ASSEMBLY. CAGE ASSEMBLY TO BE PRESSED INTO THE PCB PRIOR TO ATTACHING THE LIGHT PIPE ASSEMBLY TO THE CAGE.
- 12. CERTAIN MATING TRANSCEIVERS MAY REQUIRE ADDITIONAL PCB THICKNESS THAT WOULD BE DETERMINED BY THE CUSTOMER.
- 13. PRODUCT COMPLIES WITH SPECIFICATION SFF-8433 IMPROVED PLUGGABLE FROM FACTOR FOR SFP+ GANGED CAGES.

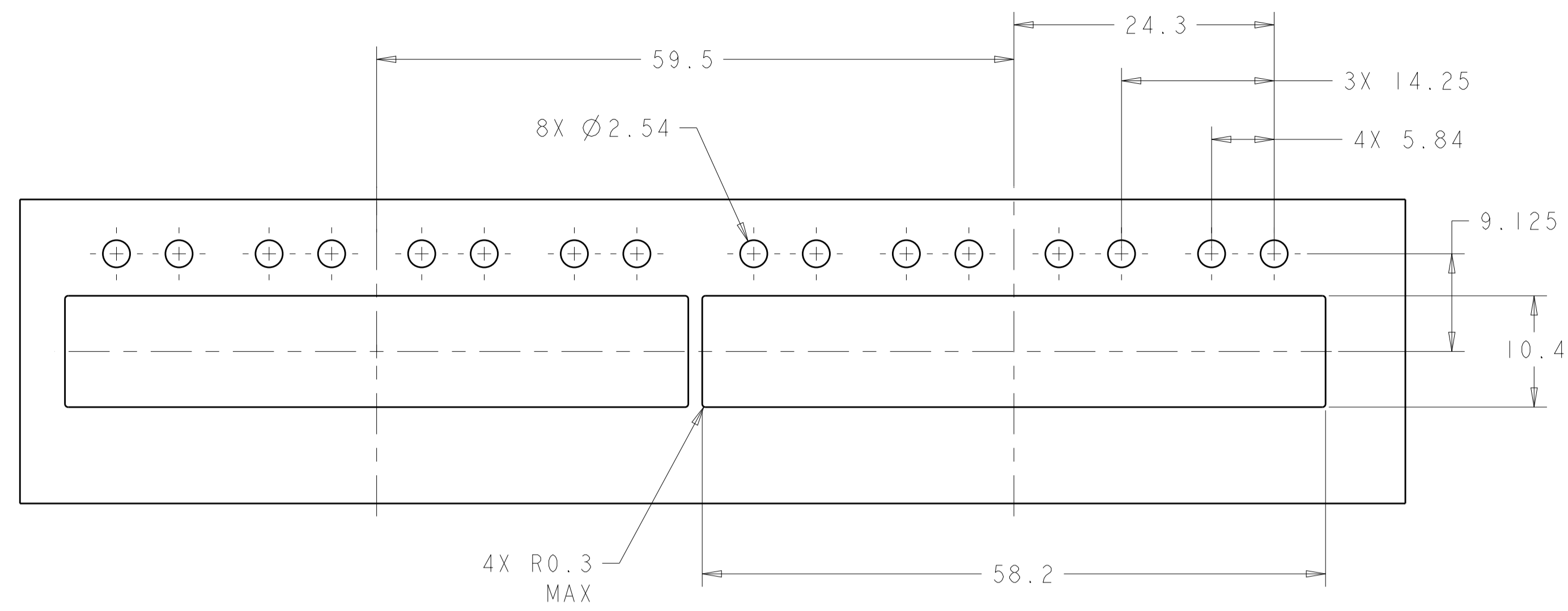


2007178-1  
 FINISHED ASSEMBLY  
 SCALE 4:1

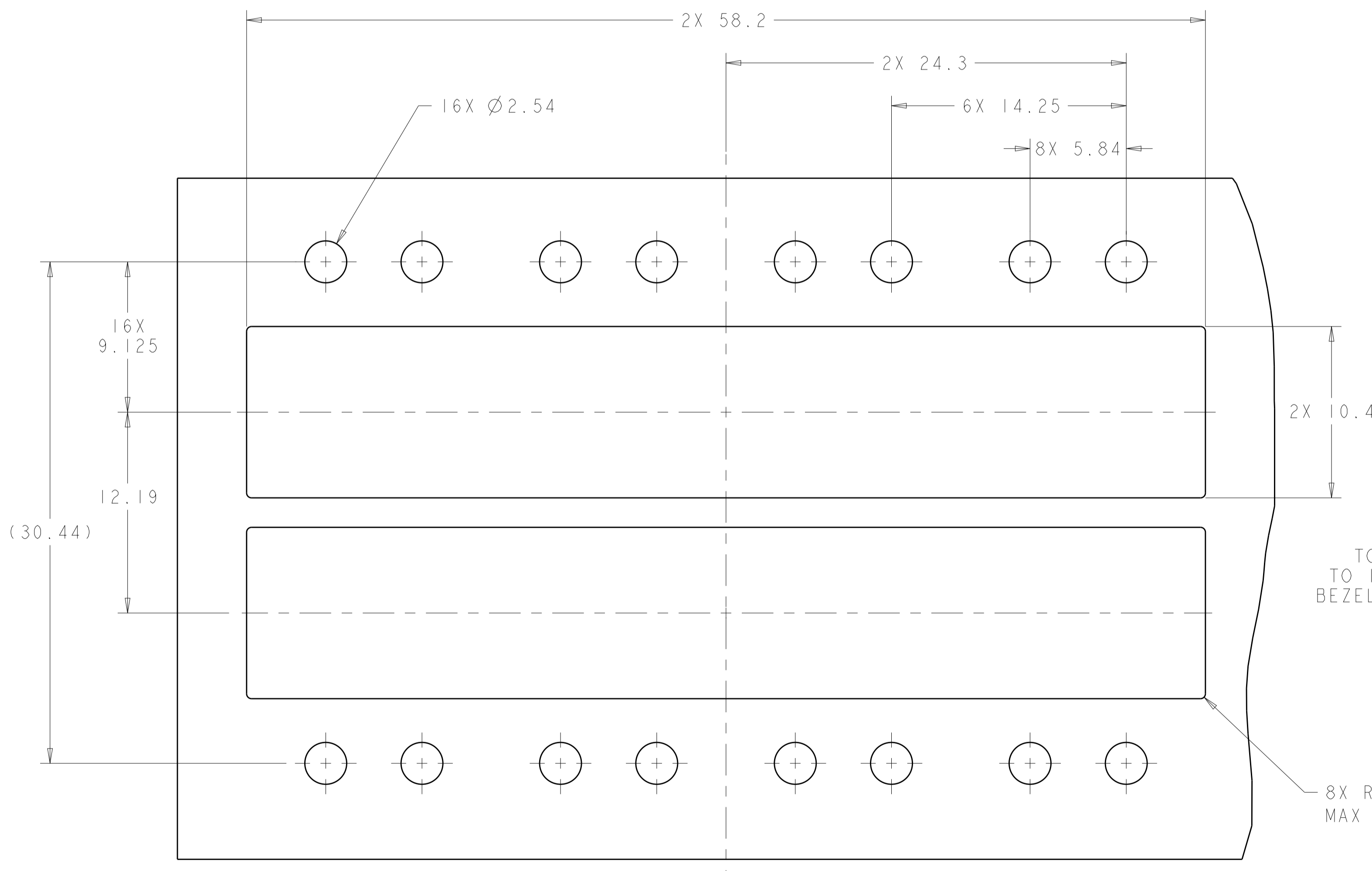
2007178-1  
 PART NUMBER

|  |             |                             |                                 |
|--|-------------|-----------------------------|---------------------------------|
| THIS DRAWING IS A CONTROLLED DOCUMENT. |             | DWN: M. SCHMITT 21JUN2007   | TE Connectivity                 |
| DIMENSIONS: mm                         |             | CHK: M. SCHMITT 21JUN2007   |                                 |
| TOLERANCES UNLESS OTHERWISE SPECIFIED: |             | APVD: B. WERTZ 21JUN2007    | NAME: SFP+ 1X4 CAGE ASSEMBLY    |
| 0 PLC ±0.1                             | 1 PLC ±0.1  | PRODUCT SPEC: 108-2364      | PRESS FIT, EXTERNAL EMI SPRINGS |
| 2 PLC ±0.1                             | 3 PLC ±0.1  | APPLICATION SPEC: 114-13120 | WITH LIGHT PIPES                |
| 4 PLC ±0.1                             | ANGLES ±0.1 | SIZE: A1                    | RESTRICTED TO                   |
| MATERIAL:                              | FINISH:     | WEIGHT: -                   | Customer Drawing                |
|  |             | SCALE: 1:1                  | SHEET 1 OF 4                    |
|  |             | REV: E                      |                                 |

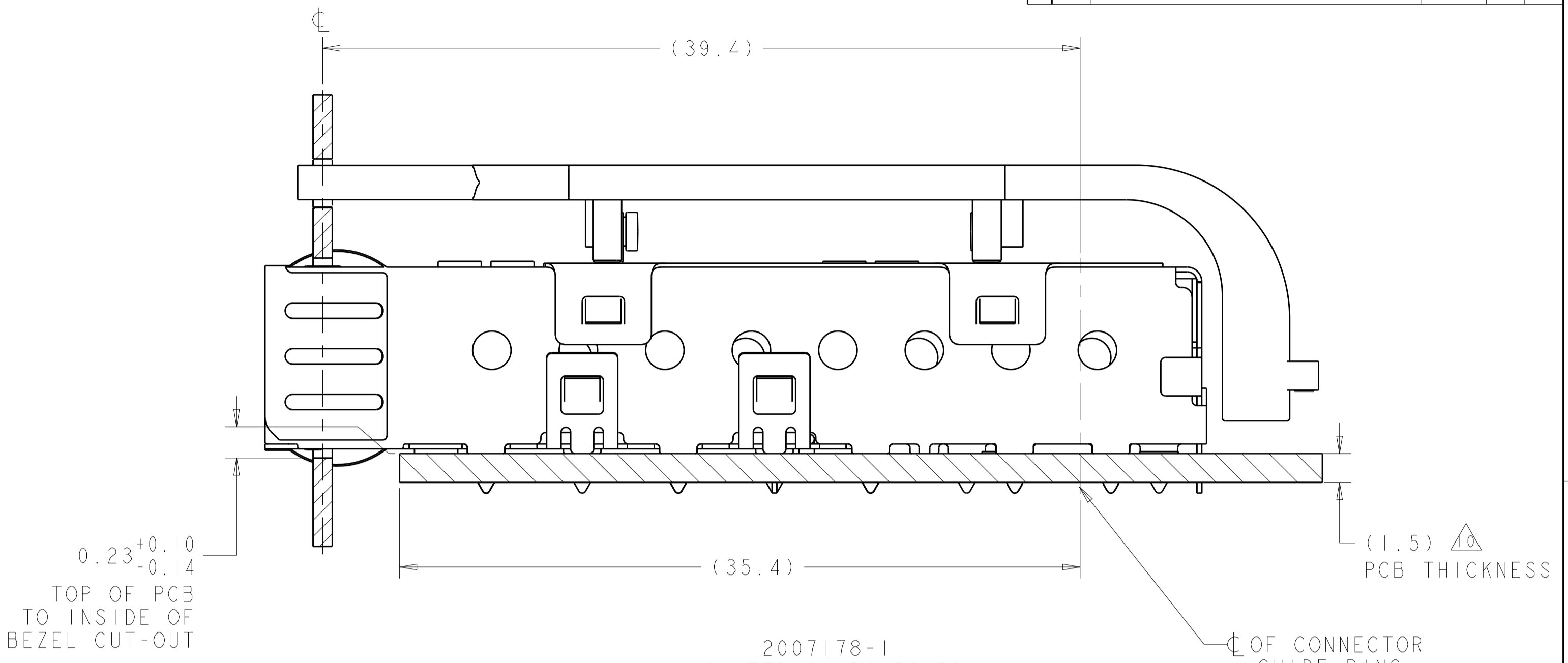
| LOC |    | DIST |     | REVISIONS   |      |     |      |
|-----|----|------|-----|-------------|------|-----|------|
| GP  | 00 | P    | LTN | DESCRIPTION | DATE | OWN | APVD |
|     |    |      |     | SEE SHEET 1 |      |     |      |



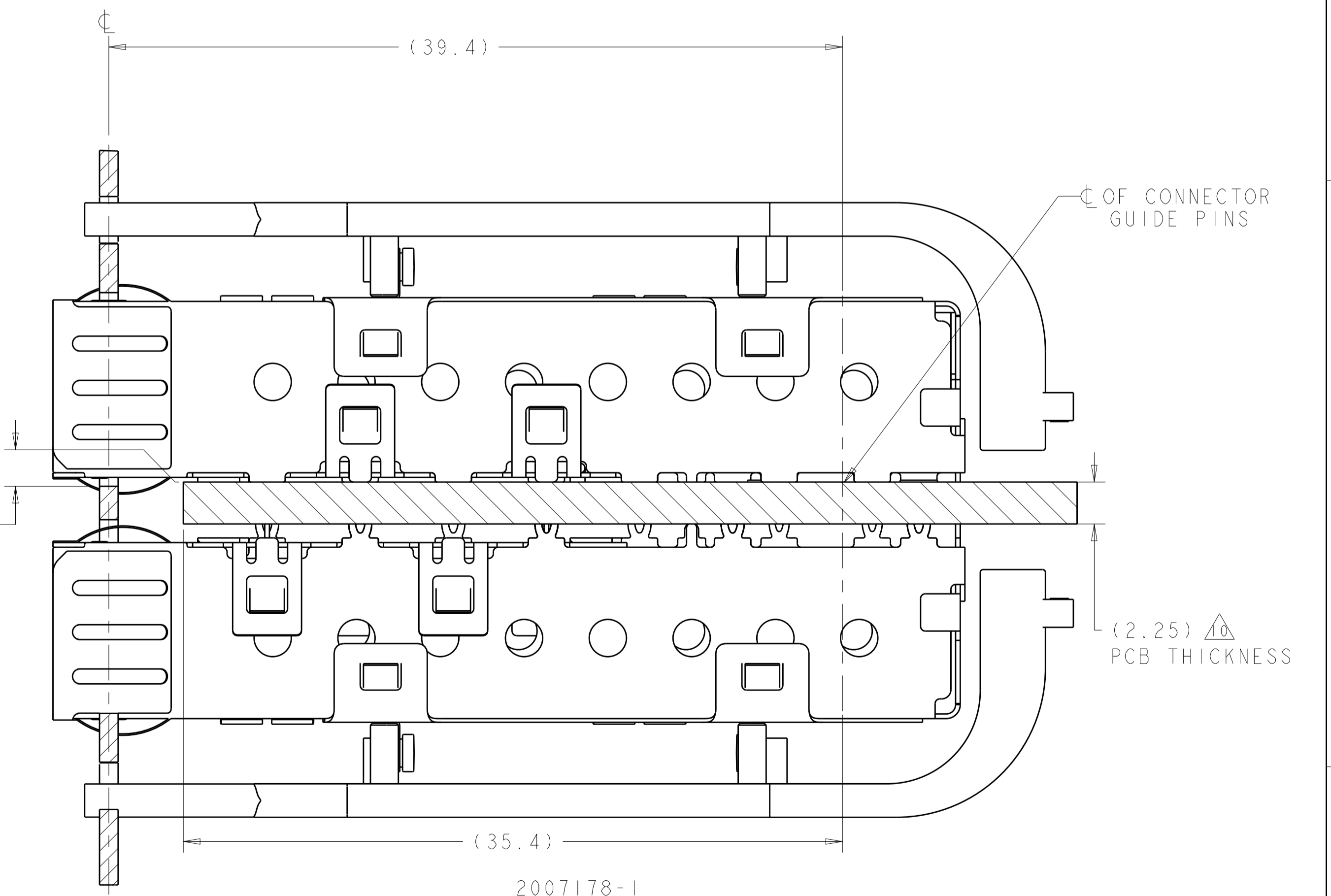
RECOMMENDED BEZEL CUT-OUT  
 SINGLE SIDED APPLICATIONS  
 SCALE 5:2



RECOMMENDED BEZEL CUT-OUT  
 BELLY TO BELLY APPLICATIONS



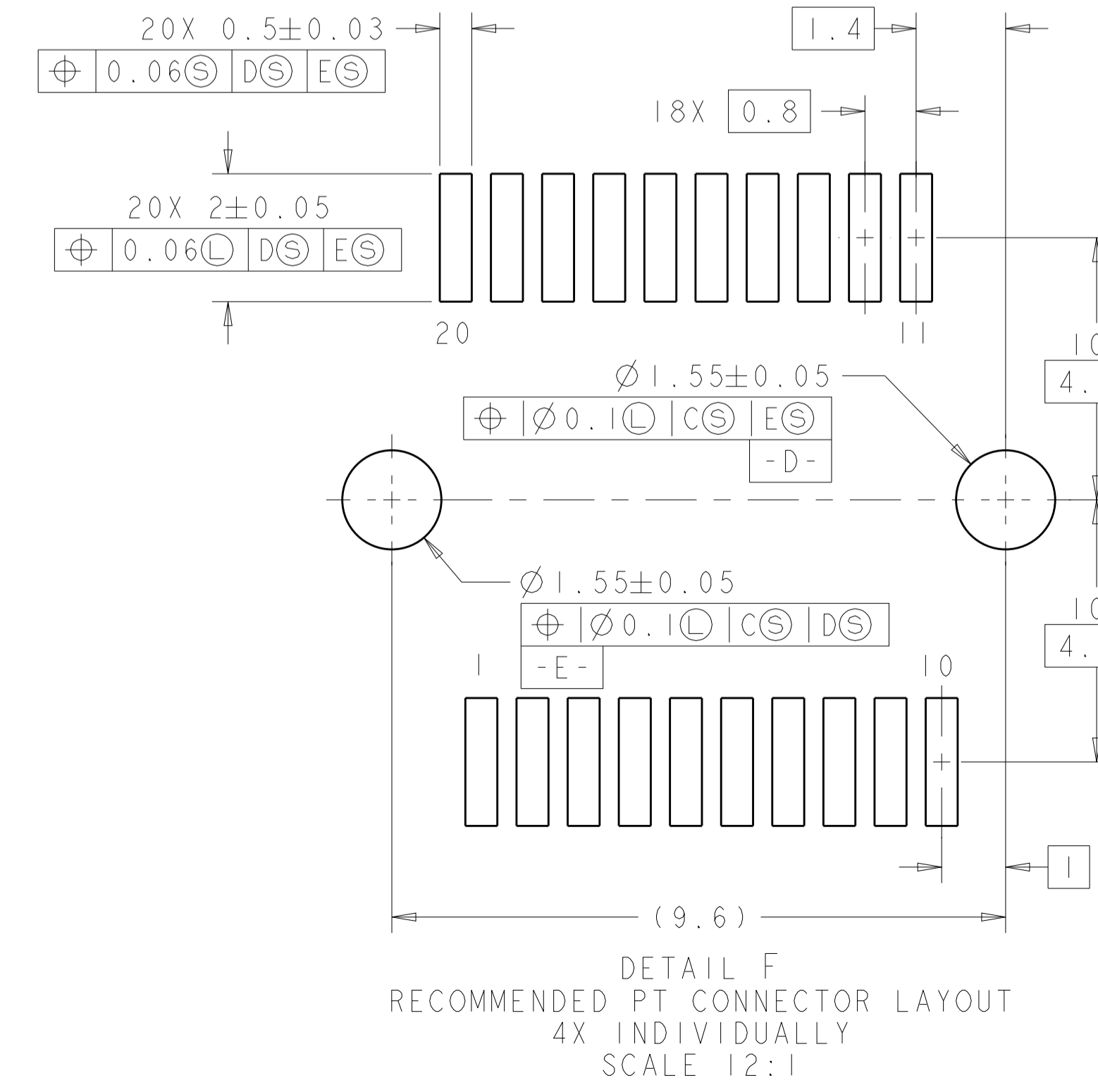
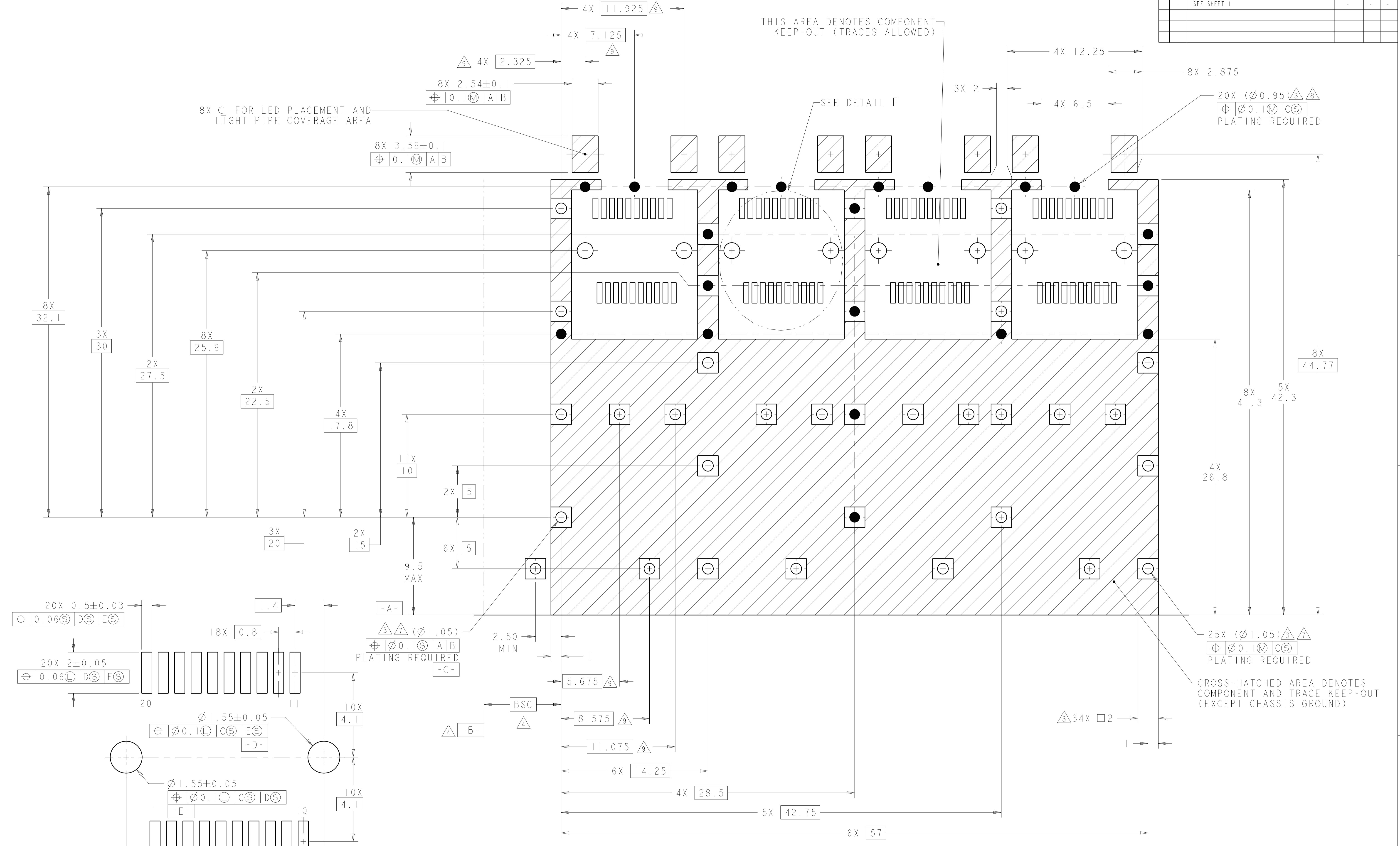
2007178-1  
 MOUNTED ON PC BOARD  
 SHOWN THRU RECOMMENDED BEZEL



2007178-1  
 MOUNTED BELLY TO BELLY ON PC BOARD  
 SHOWN THRU RECOMMENDED BEZEL

|  |      |                           |   |
|--|------|---------------------------|---|
| THIS DRAWING IS A CONTROLLED DOCUMENT. |      | OWN: M. SCHMITT 21JUN2007 | TE Connectivity   |
| DIMENSIONS: mm                         |      | CHK: M. SCHMITT 21JUN2007 |   |
| TOLERANCES UNLESS OTHERWISE SPECIFIED: |      | APVD: B. WERTZ 21JUN2007  | NAME: SFP+ 1X4 CAGE ASSEMBLY PRESS FIT, EXTERNAL EMI SPRINGS WITH LIGHT PIPES |
| 0 PLC                                  | ±0.1 | PRODUCT SPEC              | SIZE: CAGE CODE DRAWING NO  |
| 1 PLC                                  | ±0.1 | 108-2364                  | RESTRICTED TO   |
| 2 PLC                                  | ±0.1 | APPLICATION SPEC          | A100779C=2007178  |
| 3 PLC                                  | ±0.1 | 114-13120                 | SCALE: 1:1 SHEET 2 OF 4 REV E   |
| 4 PLC                                  | ±0.1 | Customer Drawing          |   |
| ANGLES                                 | ±1°  |                           |   |
| FINISH                                 |      |                           |   |

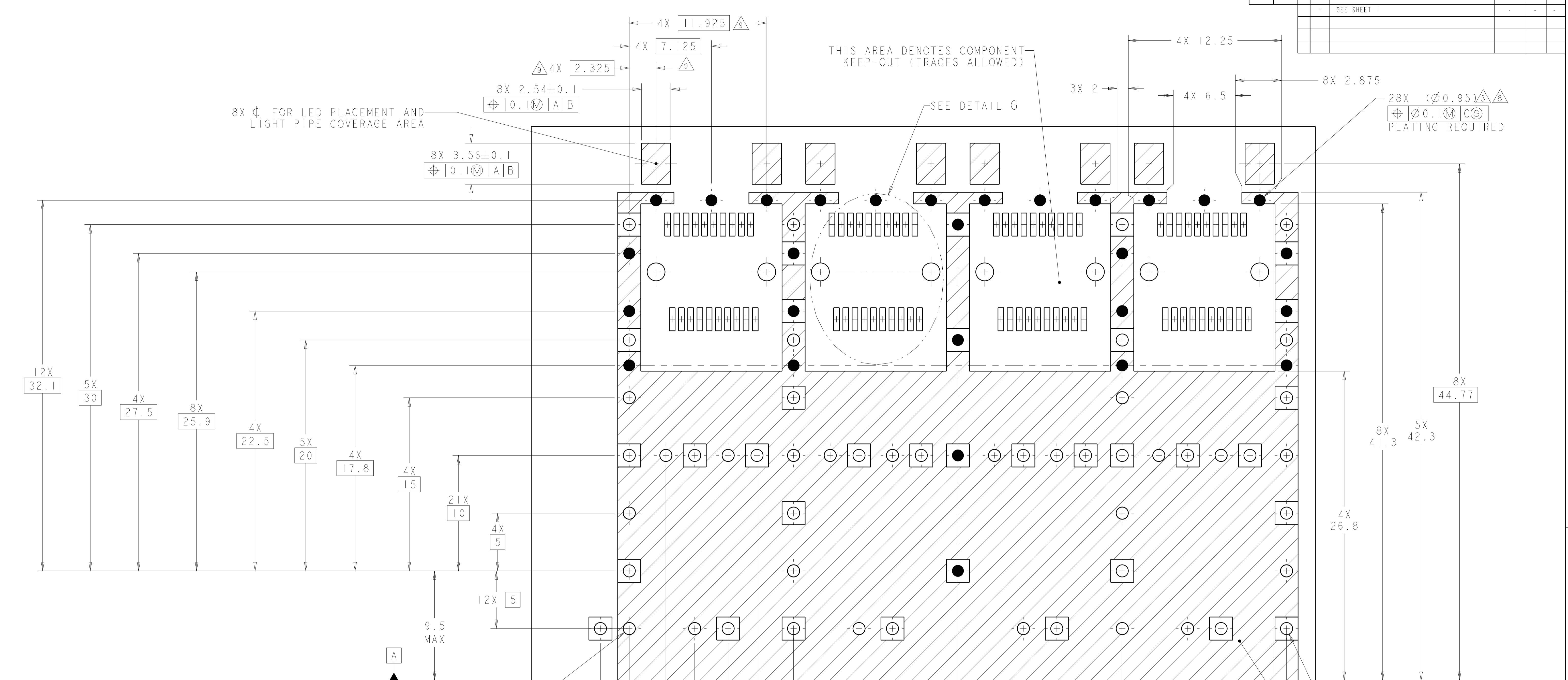
| LOC | DIST | REVISIONS |     |             |      |     |      |
|-----|------|-----------|-----|-------------|------|-----|------|
| GP  | 00   | P         | LTN | DESCRIPTION | DATE | DMN | APVD |
|     |      | -         | -   | SEE SHEET 1 | -    | -   | -    |



RECOMMENDED PCB CONFIGURATION WITH KEEP-OUT AREAS SINGLE SIDED APPLICATIONS SCALE 6:1

|  |  |                             |   |
|--|--|-----------------------------|---|
| THIS DRAWING IS A CONTROLLED DOCUMENT.   |  | DMN: M. SCHMITT 21JUN2007   | <br>TE Connectivity   |
| DIMENSIONS: mm   |  | CHK: M. SCHMITT 21JUN2007   |   |
| TOLERANCES UNLESS OTHERWISE SPECIFIED:   |  | APVD: B. WERTZ 21JUN2007    | NAME: SFP+ 1X4 CAGE ASSEMBLY PRESS FIT, EXTERNAL EMI SPRINGS WITH LIGHT PIPES |
| 0 PLC ±0.1<br>1 PLC ±0.1<br>2 PLC ±0.1<br>3 PLC ±0.1<br>4 PLC ±0.1<br>ANGLES ±1° |  | PRODUCT SPEC: 108-2364      | SIZE: A1  |
| MATERIAL: -  |  | APPLICATION SPEC: 114-13120 | DRAWING NO: C=2007178   |
| FINISH: -  |  | WEIGHT: -                   | RESTRICTED TO: -  |
| Customer Drawing   |  | SCALE: 1:1                  | SHEET 3 OF 4 REV E  |

| LOC | DIST | REVISIONS |      |             |      |     |      |
|-----|------|-----------|------|-------------|------|-----|------|
| GP  | 00   | P.        | LTN. | DESCRIPTION | DATE | OWN | APVD |
| -   | -    | -         | -    | SEE SHEET 1 | -    | -   | -    |



THIS AREA DENOTES COMPONENT KEEP-OUT (TRACES ALLOWED)

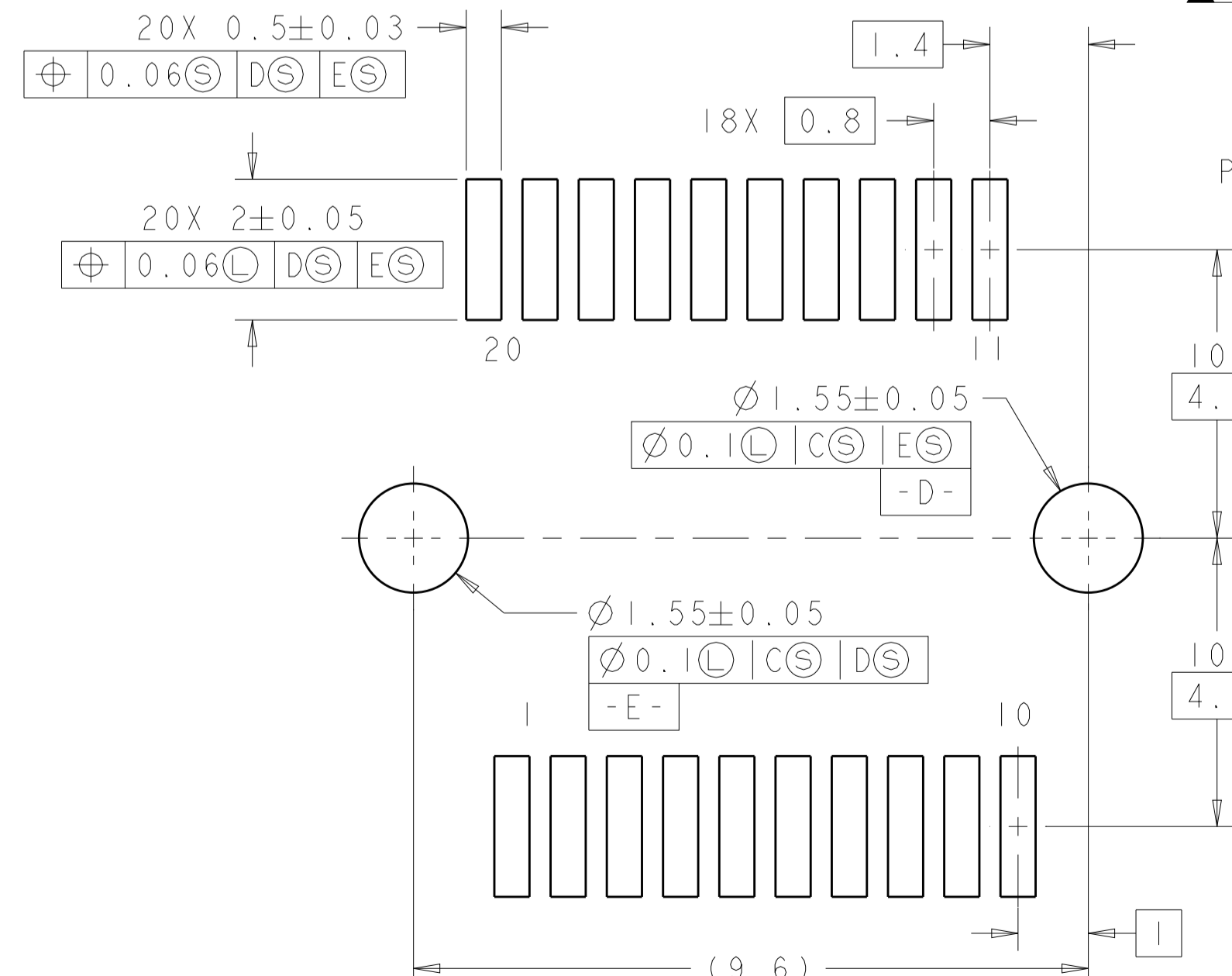
SEE DETAIL G

8X ∅ FOR LED PLACEMENT AND LIGHT PIPE COVERAGE AREA

28X (∅0.95) PLATING REQUIRED

51X (∅1.05) PLATING REQUIRED

CROSS-HATCHED AREA DENOTES COMPONENT AND TRACE KEEP-OUT (EXCEPT CHASSIS GROUND)



DETAIL G  
RECOMMENDED PT CONNECTOR LAYOUT  
8X INDIVIDUALLY  
SCALE 12:1

RECOMMENDED PCB CONFIGURATION WITH KEEP-OUT AREAS BELLY TO BELLY APPLICATIONS SCALE 6:1

|  |  |                           |  |   |  |
|--|--|---------------------------|--|---|--|
| THIS DRAWING IS A CONTROLLED DOCUMENT. |  | OWN: M. SCHMITT 21JUN2007 |  | NAME: SFP+ 1X4 CAGE ASSEMBLY PRESS FIT, EXTERNAL EMI SPRINGS WITH LIGHT PIPES |  |
| DIMENSIONS: mm                         |  | CHK: M. SCHMITT 21JUN2007 |  | PRODUCT SPEC: 108-2364  |  |
| TOLERANCES UNLESS OTHERWISE SPECIFIED: |  | APVD: B. WERTZ 21JUN2007  |  | APPLICATION SPEC: 114-13120   |  |
| 0 PLC ±0.1                             |  | MATERIAL: -               |  | WEIGHT: -   |  |
| 1 PLC ±0.1                             |  | FINISH: -                 |  | SCALE: 1:1  |  |
| 2 PLC ±0.1                             |  | RESTRICTED TO: -          |  | SHEET 4 OF 4  |  |
| 3 PLC ±0.1                             |  | Customer Drawing          |  | REV E   |  |
| 4 PLC ±0.1                             |  |                           |  |   |  |
| ANGLES ±0.1                            |  |                           |  |   |  |